

# Slowstop® Type 2.5 Bollard - 141mm Dia.



## Suggested Uses.

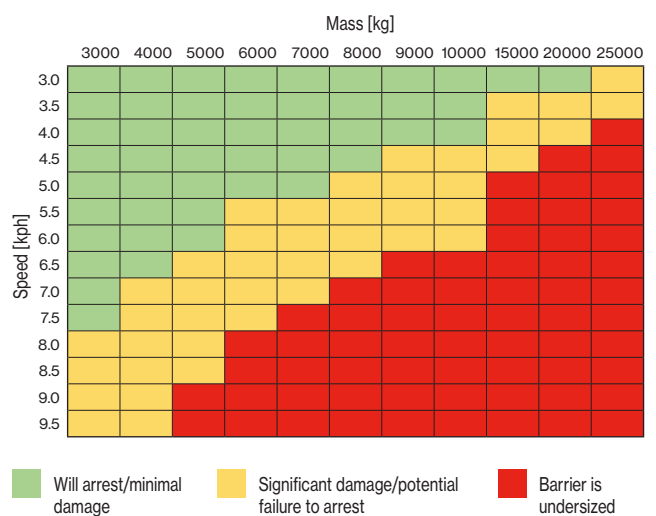
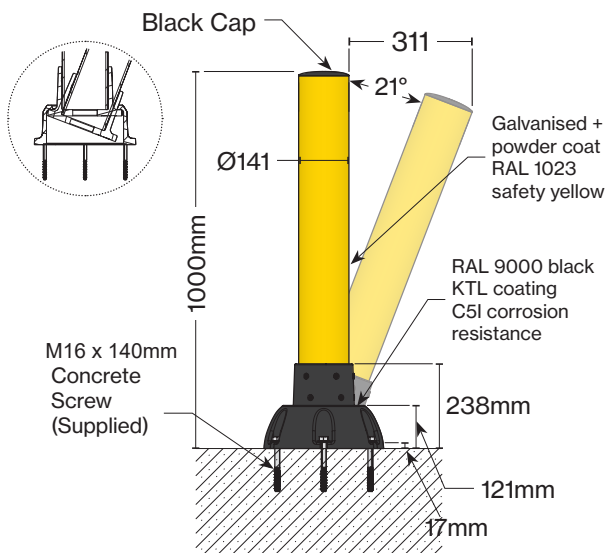
- Medium to heavy-duty industrial applications where cars, light trucks, and/or typical forklifts are present.
- Parking facilities, EV Charging stations
- Utility protection and fuel pump protection.

## Benefits.

- Stops 10t at 4.4km/h
- Flexible elastomer in the base eliminates floor damage - safe for installation in structural concrete
- Absorbs impact and flexes up to 21 degrees before returning to upright position
- Round base offers fastener head protection from fork impact and eliminates trip hazard as bolts are not exposed.
- Stopping Power Rating: 18,000 joules

## Specifications.

Code	49-SSB141Y
Description	Slowstop® Type 2.5 Bollard
Diameter	141mm
Material	Galvanised Steel with Yellow Powdercoat
Wall thickness	6.3mm
Height	1000mm
Weight	49.5kg
Base Plate Width	300mm
Temperature Rating:	from -40° to +70° Celsius
Fixings	6 (supplied)

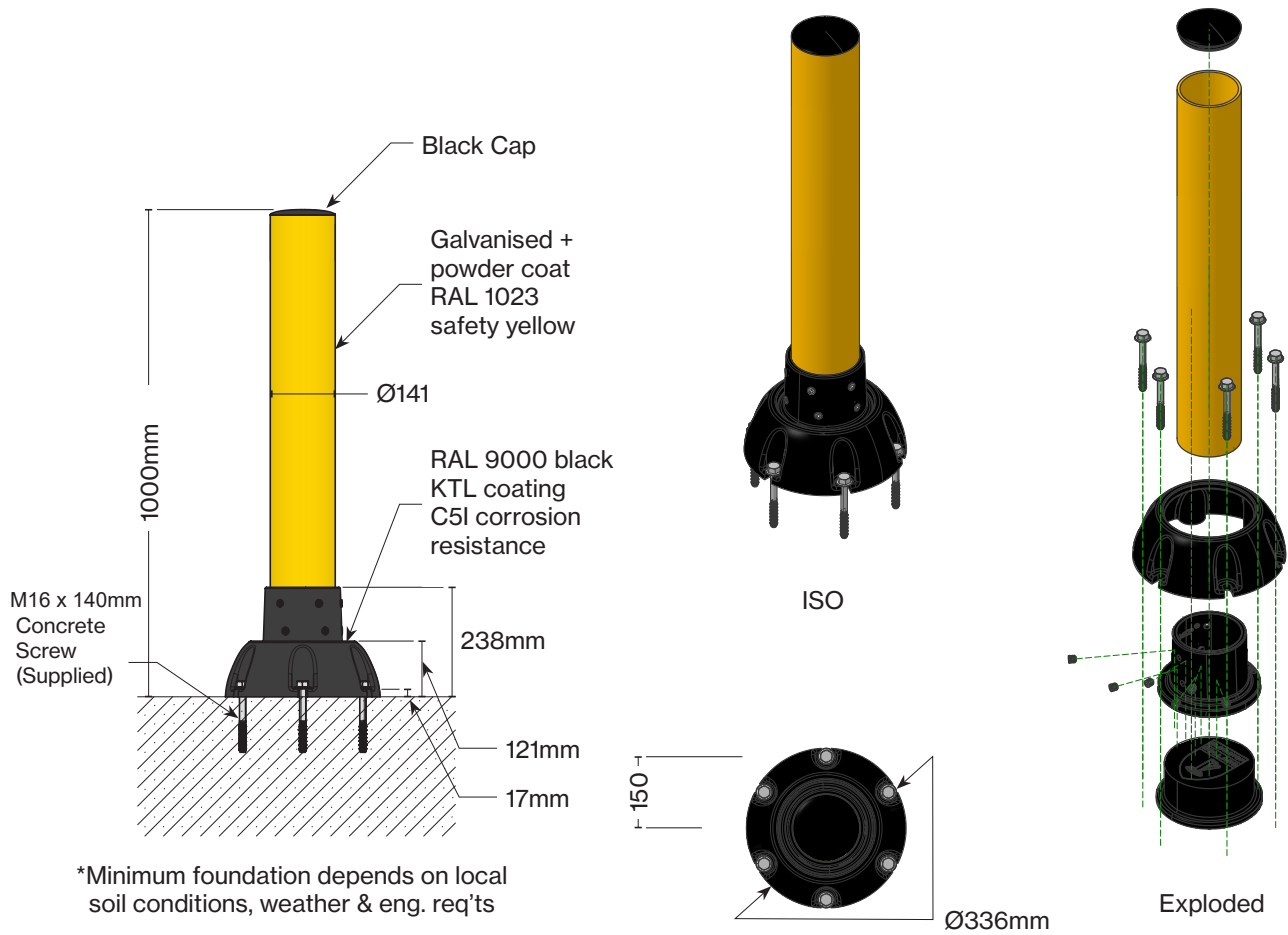


Scan here to view the webpage.



# Slowstop® Type 2.5 Bollard - 141mm Dia.

## Diagrams.



## Footing for use in asphalt. Not required in concrete.

